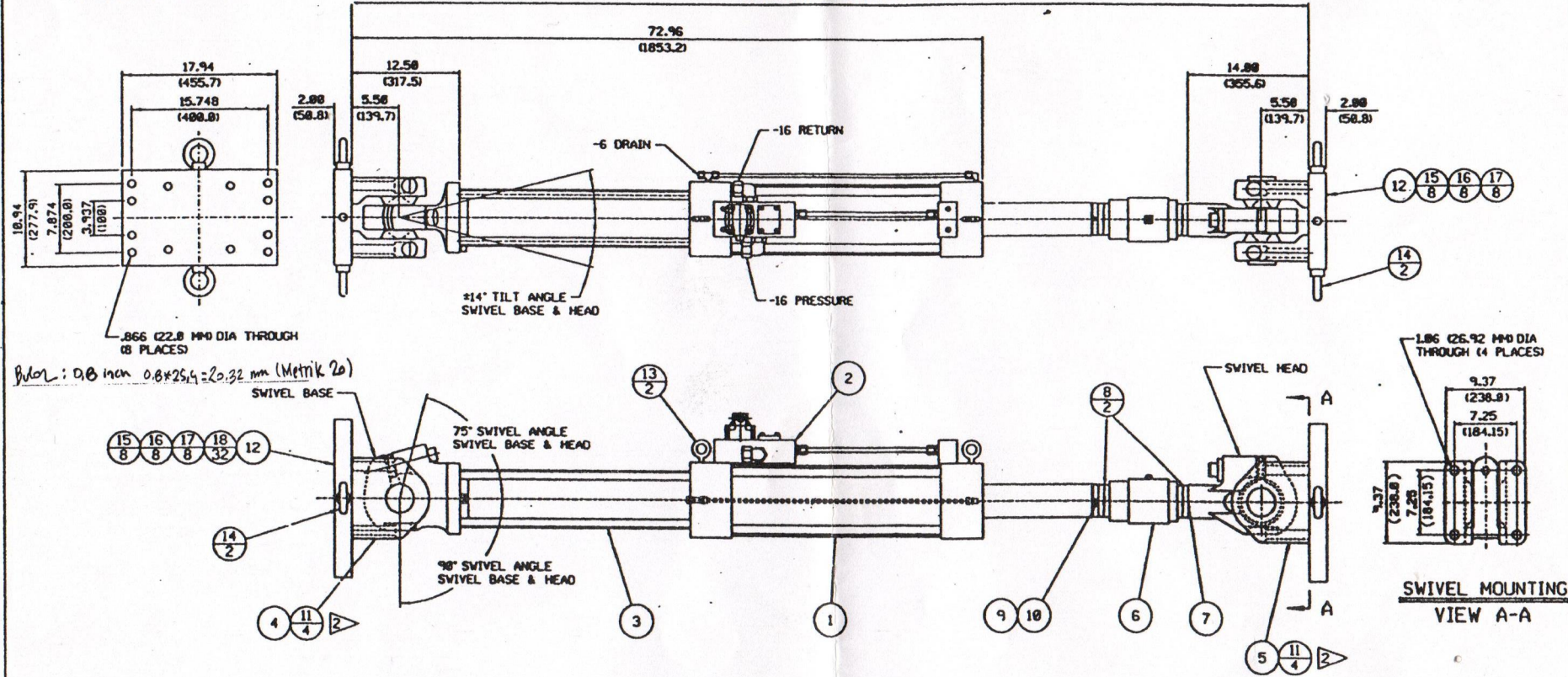


**SPECIFICATIONS**

MODEL NUMBER: 244.31  
 PISTON AREA: 19.63 SQ. IN. (126.65 SQ. CM)  
 ROD DIAMETER: 3.75 IN. (95.3 MM)  
 DYNAMIC STROKE: 24.00 (609.6 MM)  
 STATIC STROKE: 24.48 (619.8 MM)  
 CUSHION LENGTH: .28 IN. (7.1 MM)  
 (BOTH ENDS)  
 STATIC FORCE RATING: 55 KIPS (250 100  
 AT 3000 PSI (207 BAR)  
 STATIC SYSTEM PRESSURE

96.46 (2500.9) MINIMUM STATIC  
 118.66 (2818.8) MID STROKE  
 122.86 (3128.6) MAXIMUM STATIC



*Note:* Ø 10 mm 0.8x25.4 = 20.32 mm (Metrik 20)

APPROX. WEIGHT 1200 LBS (543 KG)

- NOTES:**
1. DIMENSIONS IN PARENTHESIS ARE IN MILLIMETERS UNLESS OTHERWISE SPECIFIED.
  2. LUBE & TORQUE TO 570 LB-FT (780 Nm)

UNLESS OTHERWISE SPECIFIED			
MATERIAL SPECIFICATIONS	LOAD BORE SIZE TOLERANCE	WALL THICKNESS	ROCKWELL HARDNESS
	0.000 OVER .750	0.003	175
GENERAL USE	.0005 OVER .750	0.003	175
	-.0005 OVER .750	0.003	175
FINISH	FINISH	FINISH	FINISH
	16	16	16
OTHER	ROD END	ROD END	ROD END
	1/6	1/6	1/6
- HEAD BOLTS ARE TO UNFILL THRO	HEAD BOLTS	HEAD BOLTS	HEAD BOLTS
	1/6	1/6	1/6
- BALL BEARING ARE TO FULL DIA.	BALL BEARING	BALL BEARING	BALL BEARING
	1/6	1/6	1/6
- REMOVE BURRS AND SHARP EDGES	REMOVE BURRS	REMOVE BURRS	REMOVE BURRS
	1/6	1/6	1/6
- DO NOT SCALE POINT	DO NOT SCALE	DO NOT SCALE	DO NOT SCALE
	1/6	1/6	1/6
METS HYDRAULIC CORPORATION			
244.31			

DATE	BY	DESCRIPTION
0-2-94		DOCUMENTATION UPDATES
1-2-94		DOCUMENTATION UPDATES

PROPERTY DATA  
 The information and design shown herein are the property of METS Systems Corporation and are not to be reproduced or distributed in any form without the written permission of METS Systems Corporation. Any reproduction without the written permission of METS Systems Corporation is prohibited.

ACTUATOR ASSY-244  
 24' (610mm) STROKE  
 PART NUMBER  
 499772